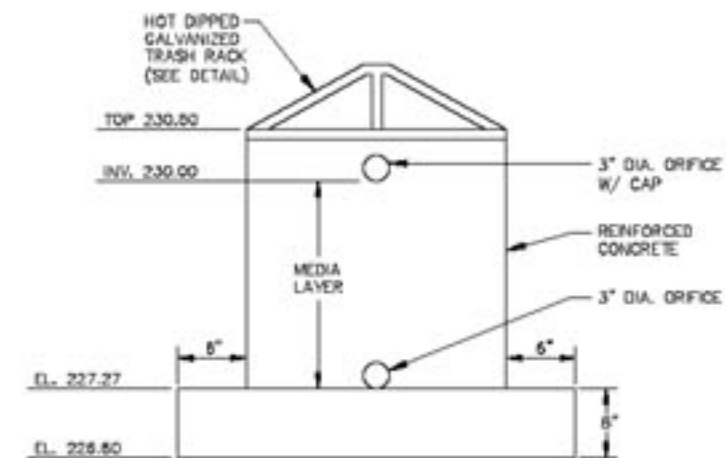
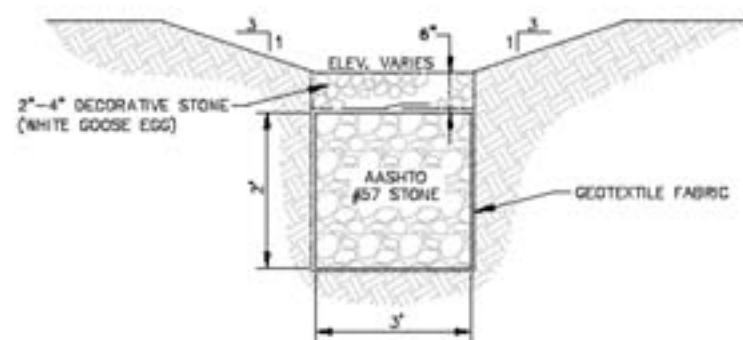


SITE DETAIL
SCALE: 1" = 2'

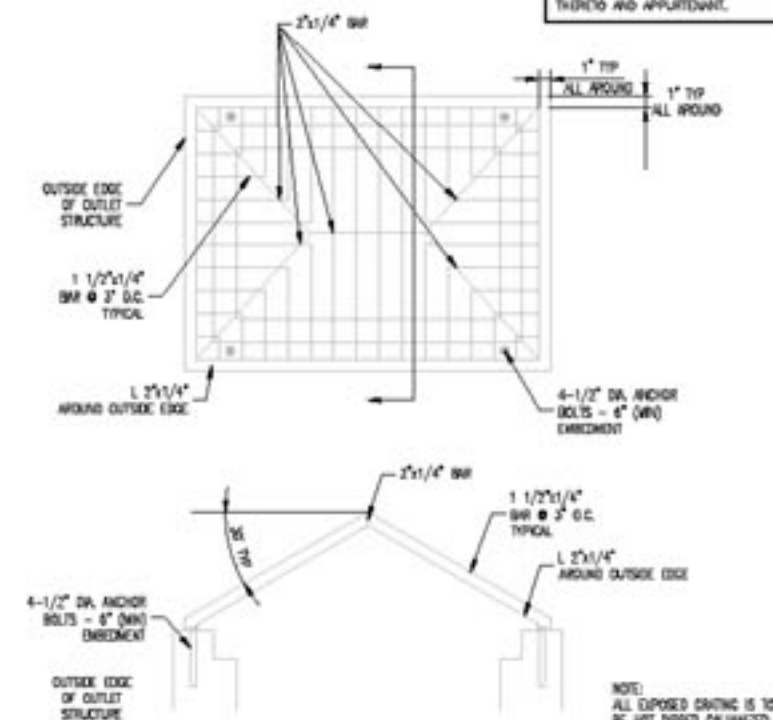
PLANTING PLAN					
ID	Scientific Name	Common Name	Form	Spacing (ft)	Number
VT	<i>Viburnum trilobum</i>	Craneberry viburnum	Shrub	3	2
AA	<i>Aronia arbutifolia</i>	Red chokeberry	Shrub	6	2
PV	<i>Panicum virgatum</i>	Switch grass	Grass	2	12
RM	<i>Rudbeckia maxima</i>	Great Coneflower	Flower	2	11
AI	<i>Asclepias incarnata</i>	Swamp milkweed	Flower	2	5
LC	<i>Lobelia cardinalis</i>	Cardinal Flower	Flower	1	14
LS	<i>Lobelia siphilitica</i>	Great blue Lobelia	Flower	1	18
MD	<i>Monarda didyma</i>	Bee balm	Flower	2	7
IV	<i>Iris versicolor</i>	Blue flag	Flower	2	11
CS	<i>Carex stricta</i>	Tussock sedge	Sedge	2	28



OUTLET STRUCTURE DETAIL
NOT TO SCALE



STONE INFILTRATION TRENCH DETAIL
NOT TO SCALE



TRASH RACK DETAIL
NOT TO SCALE

THIS DRAWING DOES NOT INCLUDE NECESSARY CONTRACTORS FOR CONSTRUCTION SAFETY. ALL CONSTRUCTION MUST BE DONE IN COMPLIANCE WITH THE CURRENT OCCUPATIONAL SAFETY AND HEALTH ACT AND ALL RULES AND REGULATIONS THEREOF AND APPURTINANT.



REV	DESCRIPTION OF REVISION



URS
335 Commerce Drive, Suite 300
Fort Washington, PA 19034-2623
Tel: 215.367.2500
Fax: 215.367.1000

DATE	BY
6/12/08	

LANDSCAPE PLAN AND DETAILS
ROSLYN PARK
FORT WASHINGTON, PENNSYLVANIA

PROJECT NUMBER	SHEET NUMBER
10897901	L-1